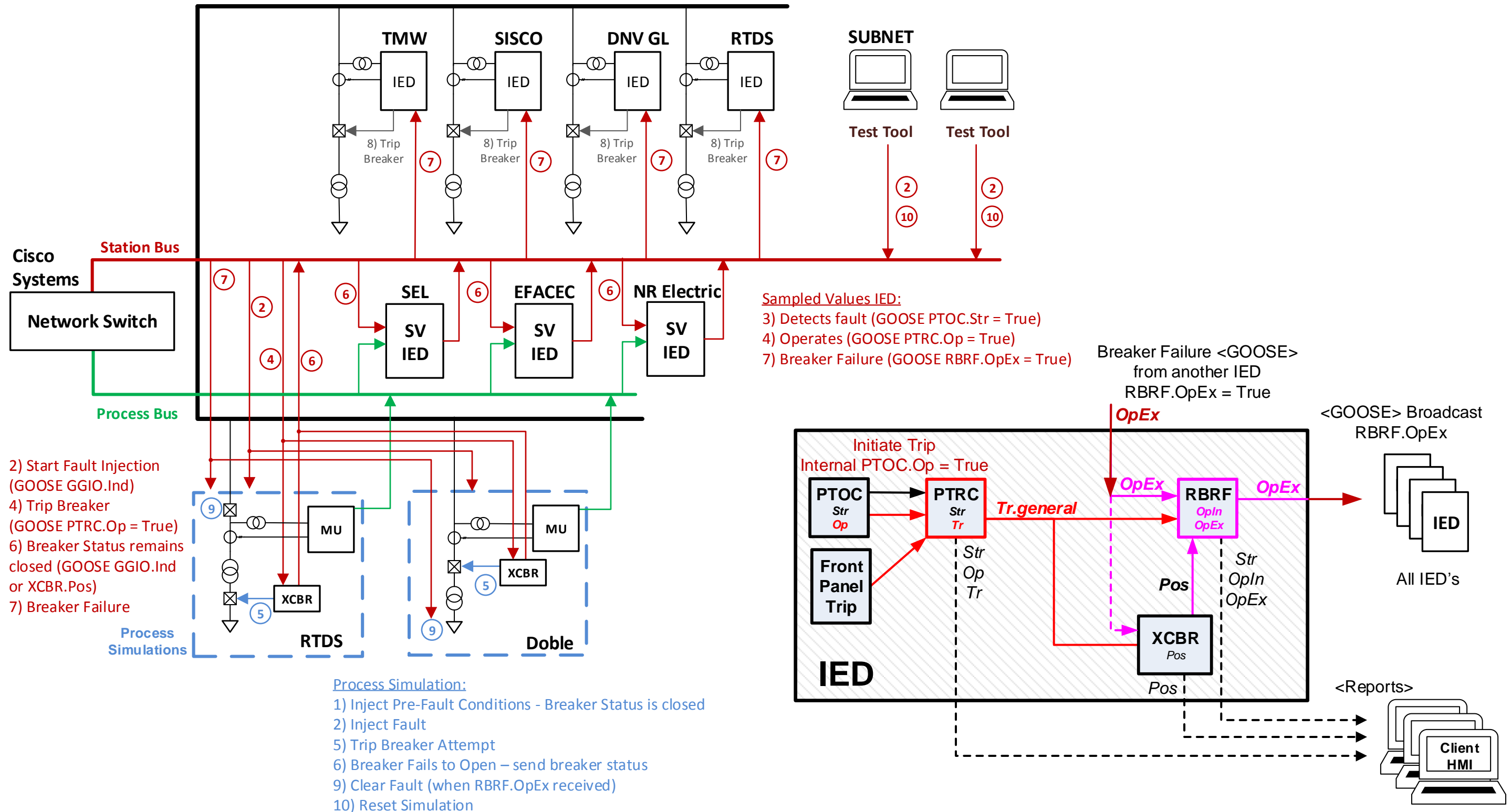


Process Sim Case

GOOSE from IEDs or Test Tools

2) Start injection of fault (GGIO.Ind = True)

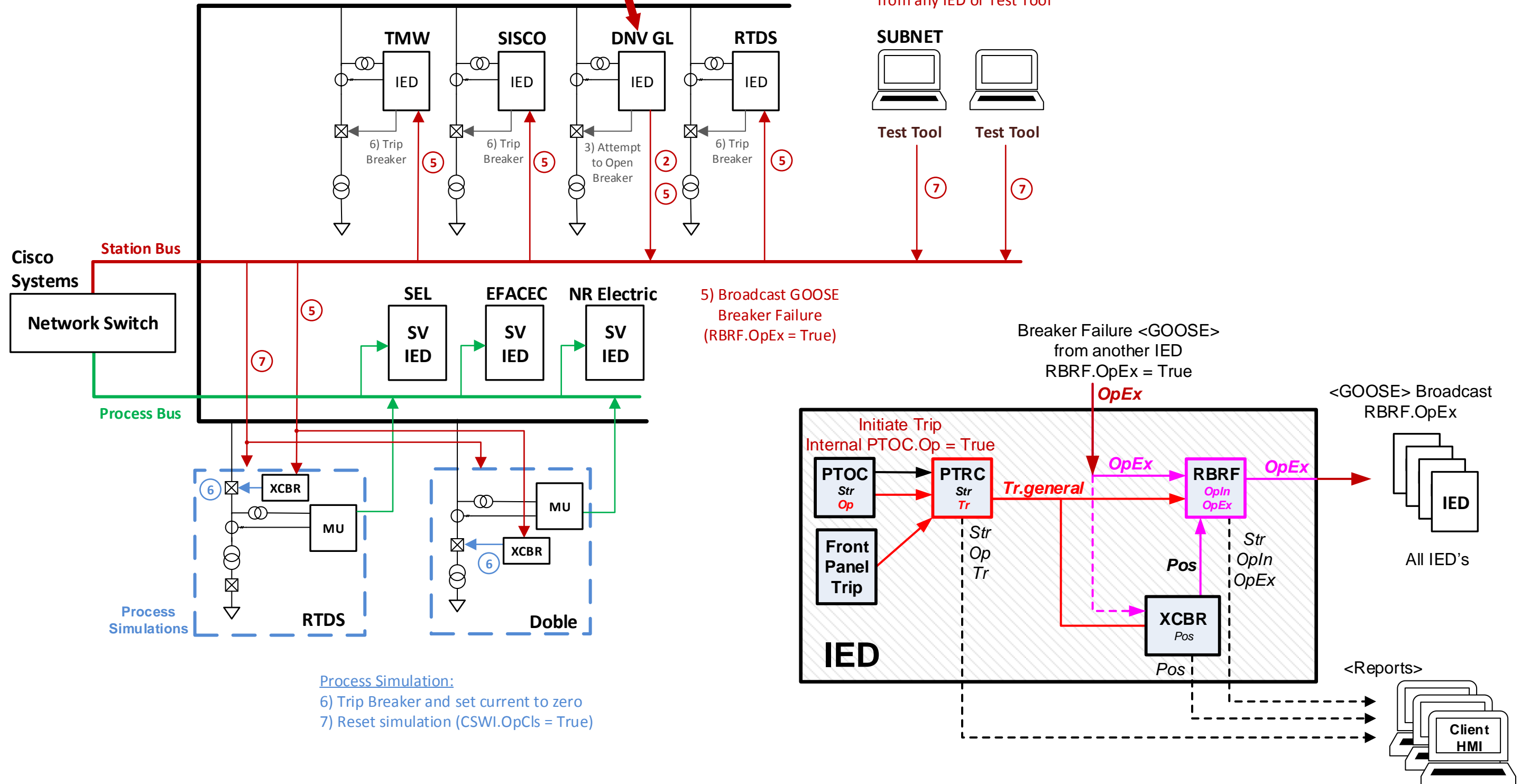
10) Reset demo (CSWI.OpCls = True)



Panel Trip Case

- From any of the IEDs:
- 1) Initiate trip from front panel of IED
 - 2) Operates (PTRC.Op = True)
 - 3) Attempt to open breaker
 - 4) Detect breaker failure
 - 5) Breaker Failure (RBRF.OpEx = True)

- 7) Reset demo (CSWI.OpCls = True) from any IED or Test Tool



Process Simulation:
 6) Trip Breaker and set current to zero
 7) Reset simulation (CSWI.OpCls = True)