

MMS-EASE *Lite*: IEC 61850 for Embedded Systems

MMS-EASE *Lite* is a source code package that has been optimized for use in Intelligent Electronic Devices (IEDs) such as RTUs, reclosers, PLCs, meters and other resource constrained embedded applications.

MMS-EASE *Lite* significantly reduces development time and allows for the efficient and portable implementation of IEC 61850 which includes support for:

- Wind, hydroelectric, distributed energy resources and substation information
- High-speed automation and tripping via GOOSE
- CT/VT sharing through sample measured values
- Wide-area secure synchrophasor communication using IEC TR 61850-90-5 & IEC 62351 (*coming soon*)



BENEFITS

- Readily available and widely used
- Regular updates implementing technical resolutions and UCAIug testing
- Easy-to-use code, sample applications, training and support provided
- Maximum performance with minimal CPU and memory requirements
- ANSI C source code provided to facilitate portation to virtually any environment
- Flexible licensing options

CONSULTING

SOFTWARE

SOLUTIONS



WWW.SISCONET.COM

features & specifications

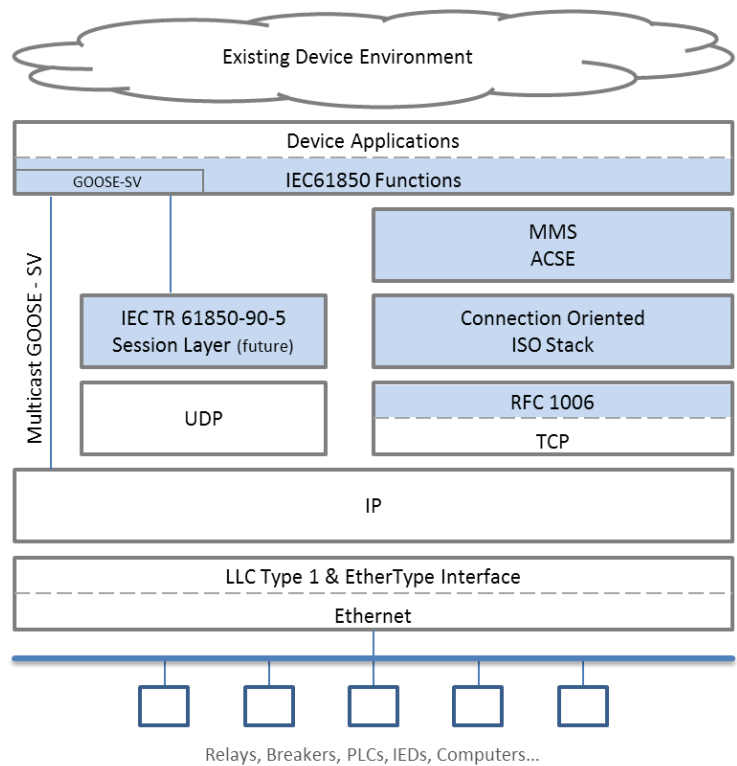


CUTTING EDGE TECHNOLOGY

- Automation for 61850 reports, GOOSE, general interrogation, and logging
- Portable to any operating system supporting ANSI c
- Asynchronous and synchronous programming support
- ROM and Static memory model support
- Scalable (tested to 1000 connections)
- Comprehensive global product support and maintenance
- User manageable and modifiable source code

COMPLIANCE TO IEC STANDARDS

- 61850-6: Substation Configuration Language
- 61850-7 Series: ACSI Services & Data Objects
- 61850-8-1: Client/Server using MMS GOOSE multicast
- 61850-9-2: Sampled Measured Values
- 61850-7-410: Hydro Power Models
- 61850-7-420: Distributed Energy Resources
- 61850-90-5: Wide Area Measurement Protection & Control
- 61400-25-2: Wind Power Systems



CONSULTING

SOFTWARE

SOLUTIONS

MMS LITE / © 2013 SISCO INC. 06-2013

6605 19 1/2 MILE ROAD, STERLING HEIGHTS, MI 48314 | p: +1 (586) 254-0020 | f: +1 (586) 254-0053

WWW.SISCONET.COM

