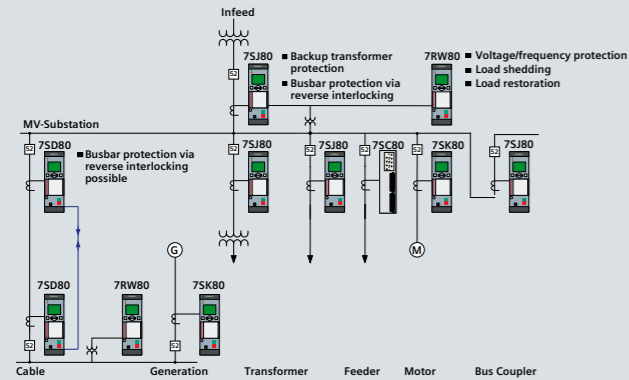


SIEMENS



Published by and copyright © 2013:
Siemens AG
Infrastructure & Cities Sector
Smart Grid Division
Energy Automation
Humboldtstrasse 59
90459 Nuremberg, Germany
www.siemens.com/protection

For more information, please contact
our Customer Support Center,
Phone: +49 180/524 84 37
Fax: +49 180/524 24 71
(Charges depending on provider)
E-mail: support.ic@siemens.com
or our Power Academy.
E-mail: power-academy.energy@siemens.com

Order No. IC1000-G220-A130-V1-7600 | Printed in Germany |
Dispo 06200 | c4bs No. 769 |
TH 345-130543 | OD | WS | 06131.0

Printed on elementary chlorine-free bleached paper.

All rights reserved.
Trademarks mentioned in this document
are the property of Siemens AG, its affiliates,
or their respective owners.

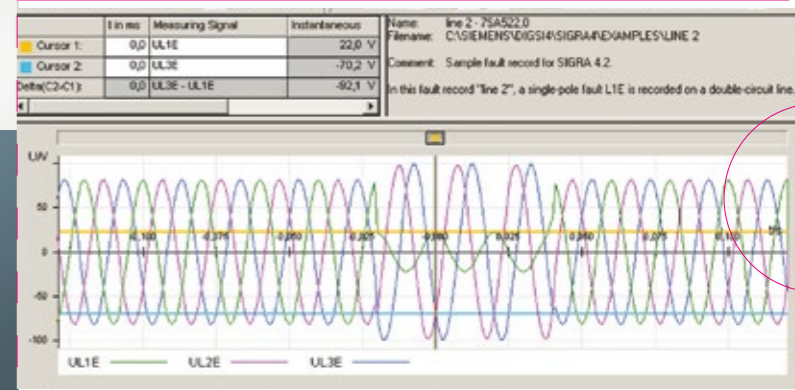
Subject to change without prior notice.
The information in this document contains general
descriptions of the technical options available, which
may not apply in all cases. The required technical
options should therefore be specified in the contract.



Intelligent Power Technologies: Siemens protection

Solutions for grids of today and tomorrow –
for more than 100 years

www.siemens.com/protection



Answers for infrastructure and cities.

Siemens Protection

With the 2 brands SIPROTEC and Reyrolle Siemens is the world market leader in digital protection technology. Profit from the experience out of an installed base of more than 1 Million devices and 250 000 with IEC 61850.

Proven solutions for all applications along the energy value chain



SIPROTEC easy



Protection solutions without PC

- Two stages overcurrent protection
- CT or auxiliary supplied
- Easiest parameterization using DIP-switches
- Easy mounting – also top-hat rails

SIPROTEC Compact

Maximum protection – minimum space

- Use of proven SIPROTEC 4 functionality
- Pluggable current and voltage terminal blocks
- Common engineering with DIGSI – even thresholds of binary inputs and secondary current values
- 2 communication interfaces
- 9 freely assignable function keys
- Flexible protection functions



SIPROTEC Compact 600 series



Protection solutions for basic distribution and industrial grids

- Space saving, compact design
- Communication interface
- Parameterization with DIGSI
- Integrated fault recording and logging

SIPROTEC 4

Proven, reliable, and safe

- Flexible communication options
- Common engineering with DIGSI
- Graphical logic editor CFC
- Clear operation through graphical display
- Worldwide largest installed base of protection and IEC 61850 solutions



Reyrolle

With-drawable solutions for distribution grids

- User-friendly operation
- Common parameterization with Reydisp Evolution software
- Communication interface including IEC 61850
- High impedance solution
- 4U housing height

SIPROTEC 5

The new benchmark for protection, automation, and monitoring

- Modular in hardware and software
- Holistic engineering with DIGSI
- Flexible engineering IEC 61850
- Redundant, multiple communication interfaces and protocols
- Cyber secure in accordance with BDEW and NERC CIP

