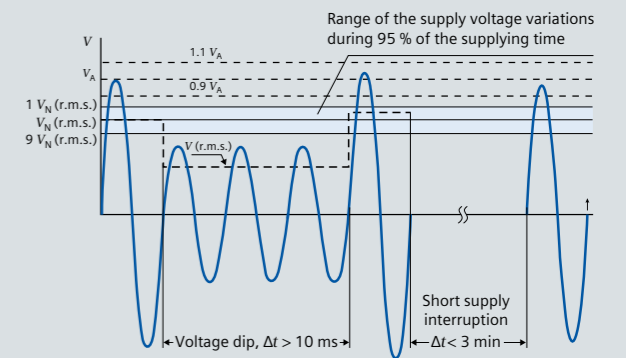


SIEMENS



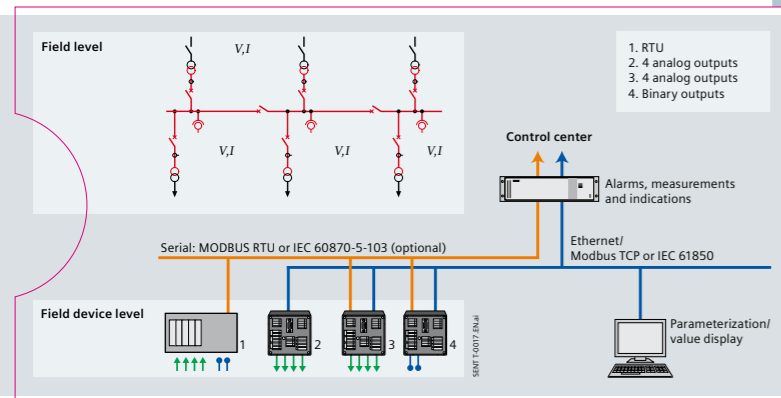
A program for the future: Siemens Power Quality and Measurements

With our powerful product family, you can
always keep track of your power quality

www.siemens.com/powerquality



Answers for infrastructure and cities.



Published by and copyright © 2012:
Siemens AG
Infrastructure & Cities Sector
Smart Grid Division
Energy Automation
Humboldtstrasse 59
90459 Nuremberg, Germany
www.siemens.com/powerquality

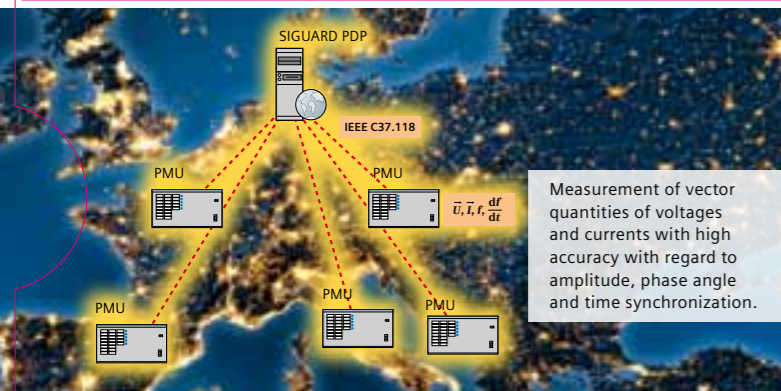
For more information, please contact
our Customer Support Center.
Phone: +49 180/524 84 37
Fax: +49 180/524 24 71
(Charges depending on provider)
E-mail: support.ic@siemens.com

Order No. IC1000-G220-A125-X-4A00 | Printed in Germany |
Dispo 06200 | c4bs No. 7437 |
TH 345-120592 | OD | 482728 | WS | 06121.0

Printed on elementary chlorine-free bleached paper.

All rights reserved.
Trademarks mentioned in this document
are the property of Siemens AG, its affiliates,
or their respective owners.

Subject to change without prior notice.
The information in this document contains general
descriptions of the technical options available, which
may not apply in all cases. The required technical
options should therefore be specified in the contract.



Strong partner: Power Quality and Measurements from Siemens

We make power quality visible – with a package of products and services that's designed for maximum power and the highest efficiency. Siemens Power Quality and

Measurements is intended both for power supply utilities and industrial clients. Our flexible, individually configurable products and solutions are geared to give you maximum security of supply. That's because with Siemens Power Quality and Measurements, you're always aware of your power availability – at all times and wherever you are – and can guarantee your quality of supply over the long term.

SICAM P



- HV
- MV
- LV

Power Meter

Areas of application of SICAM P

Records and displays measured values for energy management and power monitoring

- Measured value display and memory
- V, I, f, P, Q, S, E, cos phi, Harm
- Profibus DP, Modbus RTU, IEC 60870-5-103
- Optional analog/digital input/output modules

Digital Measurement Transducer

Areas of application of SICAM T

Records electrical quantities for output to analog outputs and communication interface

- Fast response time of analog outputs
- Galvanic insulation
- Ethernet, Web server (parameterization, monitoring)
- IEC 60870-5-103, Modbus RTU/TCP, IEC 61850

SICAM T



- HV
- MV
- LV

SICAM Q80



- HV
- MV
- LV

Power Quality Recorder

Areas of application of SICAM Q80

Records power quality at transfer points

- 4 V/4 I inputs, or 8 V inputs
- EN 50160, IEC 61000-4-30 Class A
- Ethernet, time synchronization, high memory capacity
- Intuitive device/system parameterization
- Automatic analysis and reporting

Digital Fault Recorder

Areas of application of SIMEAS R-PQ and SIMEAS R-PMU

With integrated PQ recorder or phasor measurement units as multifunctional recorder for the detailed recording of weak areas in the power network

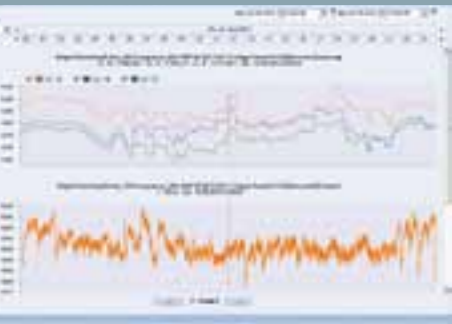
- Integrated PQ recording or PMU (C37.118)
- Individually configurable measured value modules
- Flexible recorders and triggers for each application
- Coverage of wide measuring range
- Bulk storage for redundant data backup

SIMEAS R-PQ and SIMEAS R-PMU



- HV
- MV
- LV

SICAM PQS and SICAM PQ Analyzer



- HV
- MV
- LV

Fault Record and PQ Analysis System

Areas of application of SICAM PQS and SICAM PQ Analyzer

Central analysis of critical areas in the energy network

- All fault recordings (protection device; fault recorder) and PQ data (PQ Recorder) in one system
- Fast, transparent fault analysis
- Seamless documentation of power quality
- Easy, intuitive operation

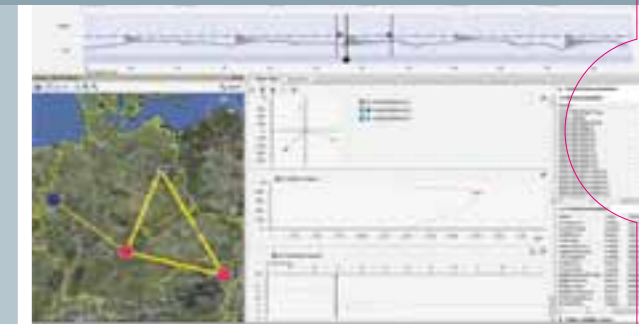
Phasor Data Processor/Concentrator

Areas of application of SIGUARD PDP/PDC

Records phasors for the analysis of network stability during transmission and distribution

- Wide area monitoring
- Detection of critical network situations, power swings, overload
- Monitoring of transmission corridors
- Island state detection

SIGUARD PDP/PDC



- HV
- MV
- LV